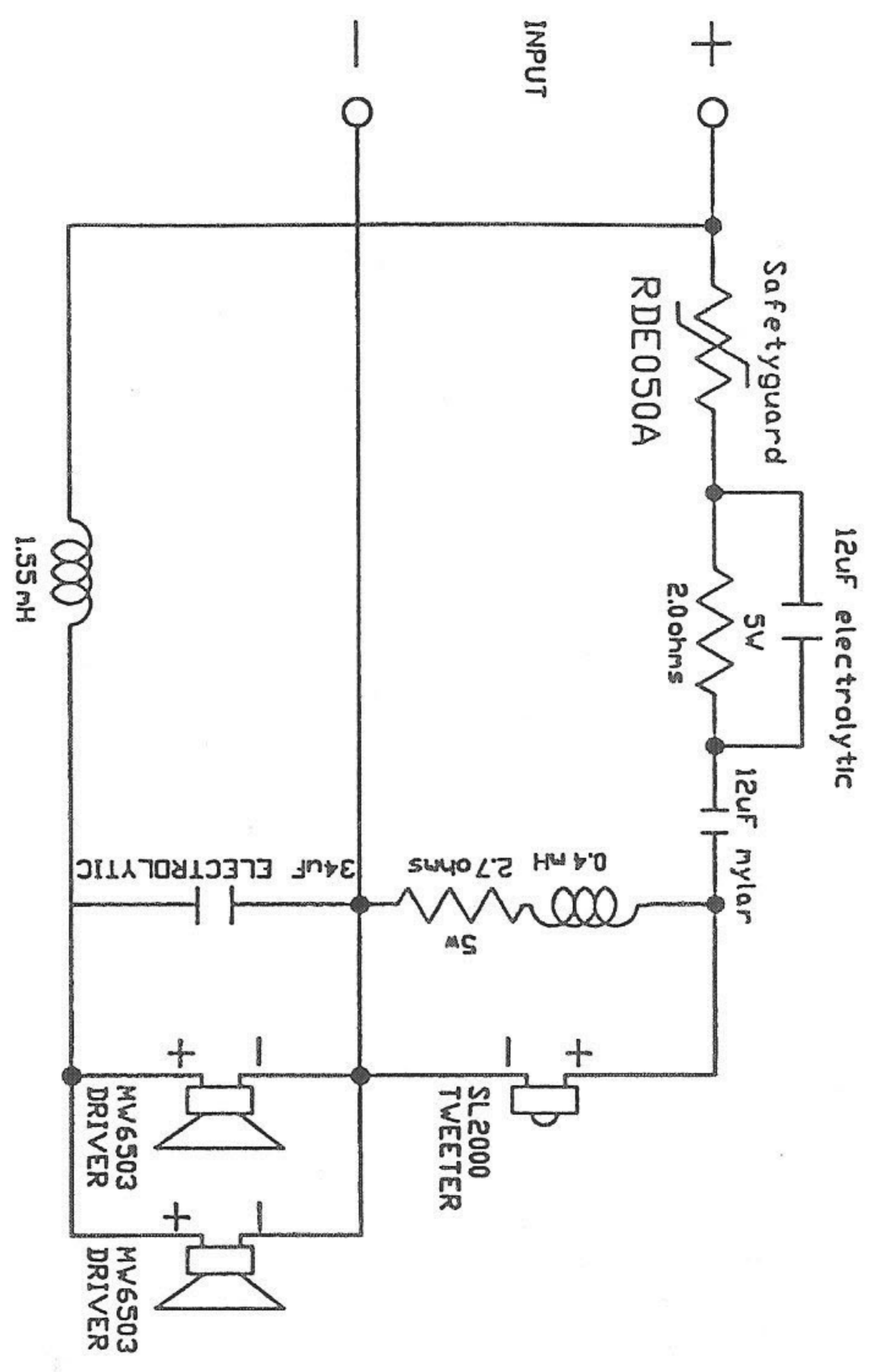


A
Δ
B
Δ
C
Δ
D
Δ
E
Δ
F



APPROVED
JUN 12 1989

PART DESCRIPTION SCHEMATIC, M10		DECIMAL: 2 PLC 3 PLC			
DRAWING TYPE: SCHEMATIC	DRAWING NUMBER: P0110001	2 H/A	3 H/A		
DRAWN BY: J.B.POLING	PART NUMBER: N/A	FRACTIONAL: N/A		5/85 B redrawn	BP <i>ES</i>
DATE: 5/17/89	VIEW NUMBER: 1 of 1	ENGINEERING APPROVAL: <i>[Signature]</i>		7/1 (A) 2.0 WAS 2.5, DELETED FUSE, ADDED POLYSWITCH	JH <i>ES</i>
DATE: 6-9-89		DATE: 6-9-89		DATE SYM	REVISION RECORD
<i>[Signature]</i>		DATE: 6-9-89		WHERE USED: AM1002-A AM1102-A	DR CK